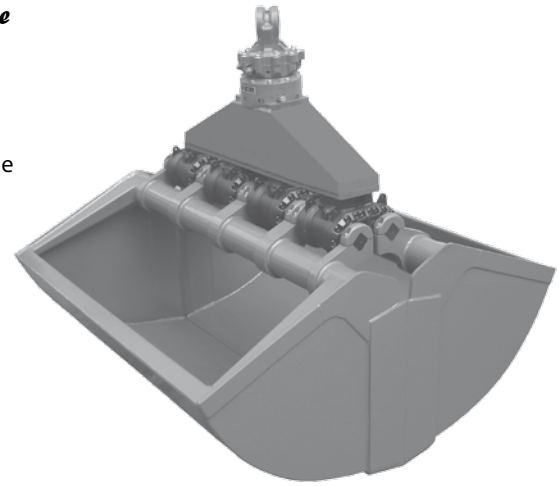


C40HPX

Re-handling Clamshell Bucket with *HPXdrive*

Durable Re-handling Clamshell Bucket with maintenance free *HPXdrive Standard*, especially for loading bulk materials for excavators from 25t to 40t operating weight.

- ***HPXdrive*** – the revolutionary concept for hydraulically operated grabs!
The rotation of the arms of the grab is generated by two hollow shafts, which run opposed and have a helix thread, hydraulically driven by a single piston. No hydraulic cylinder required!
- 50% longer life cycle. The drive unit runs in a permanent oil bath – no lubrication necessary. Resistant against dirt and blows due to the compact design
- maximum volume with a flat closing curve protects the ground surface, e.g. discharge from boat and train carriages etc.
- optimal handling due to high volume of robust shells and precise positioning due to integrated rotator
- integrated non-return valve guarantees security of the load
- constant closing forces



Re-handling Clamshell Bucket C40HPX

Type	Width B (mm)	Volume (Liter)	Self weight (kg)	Load capacity (kg)	Torque (kN)
C40HPX	2000	2500	1920	6000	46

Package consists of: re-handling Clamshell Bucket, integrated **KINSHOFER** rotator (pin-Ø 70/width 180 mm), 4 ***HPXdrive Standard*** and non-return valve

KINSHOFER Rotator

Continuous rotation and two oil passages. Overload protection is ensured by pressure relief valves.

Type	Upper connection (WidthxPin-Ø) (mm)	Torque (Nm)	Moment of deflection max. (Nm)
KM 15 F273-70	180 x Ø 70	2000	50000

Accessories

Type	Description
KM 501 19t-60t	upper suspension without pendulum damper
KM 511 19t-60t	upper suspension with pendulum damper
SW25 cardanic	adapter for Lehnhoff grab exchange system SW/MS25 without suspension – up to 40t adapter for quick exchange systems from other manufacturers available

Requirements of Excavator

Operating pressure: max. 32 MPa (320 bar) intern. max. 26 MPa (260 bar)
Pump capacity: 75 - 150 l/min

Technical Drawings

